

Chameleon



one reader - one world

The Chameleon series continues deister's development of innovative solutions for access control, time and attendance and vehicle recognition. The design satisfies the needs of security managers with a choice of secure reader technologies and tamper detection options. Architects can specify the design of the reader, for example; a look of marble or stainless steel to match the building, even after the reader has been installed.

Inhalt

Chameleon S-series	3
Chameleon L-series	4
Construction S- and L-series	5
Tamper Switch Plate	6
Snap on-Cover S- and L-series	7
Installation	8
Installation / Uninstall	9
Chameleon Accessories	10

© **Copyright 2003 by deister electronic GmbH**

All rights reserved. No part of this publication may be reproduced, stored in a retrieval system, or transmitted, in any form or by any means, electronic, mechanical, photocopying, recording, or otherwise, without prior written permission of deister electronic GmbH.

deister electronic GmbH reserves the right to make changes to any part of this documentation without obligation to notify any person or entity of such changes.

AJ_July2004

PA_chameleon_b_e.pdf

Chameleon S-series



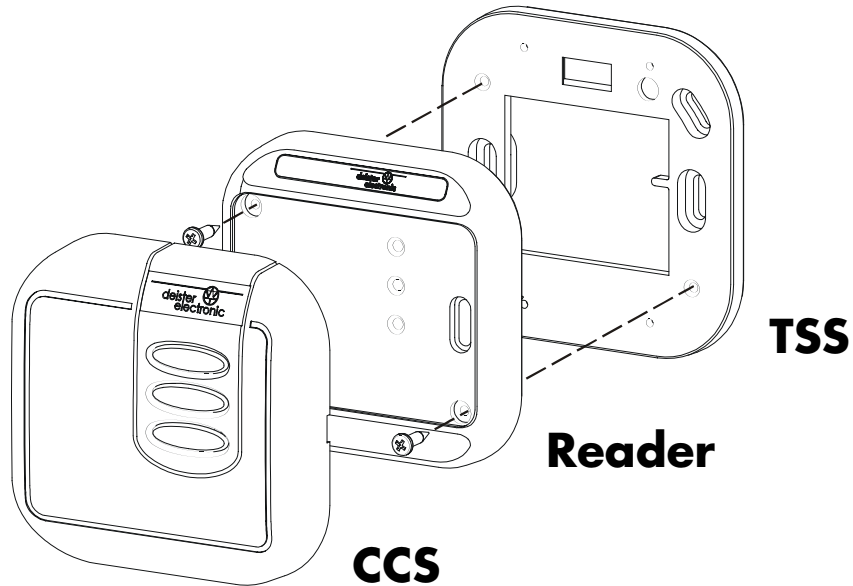
For the European markets the Chameleon S-series with the CCS Cover and the CKS Cover for keypad allow flush fitting onto standard square or round electrical switch boxes.

Chameleon L-series

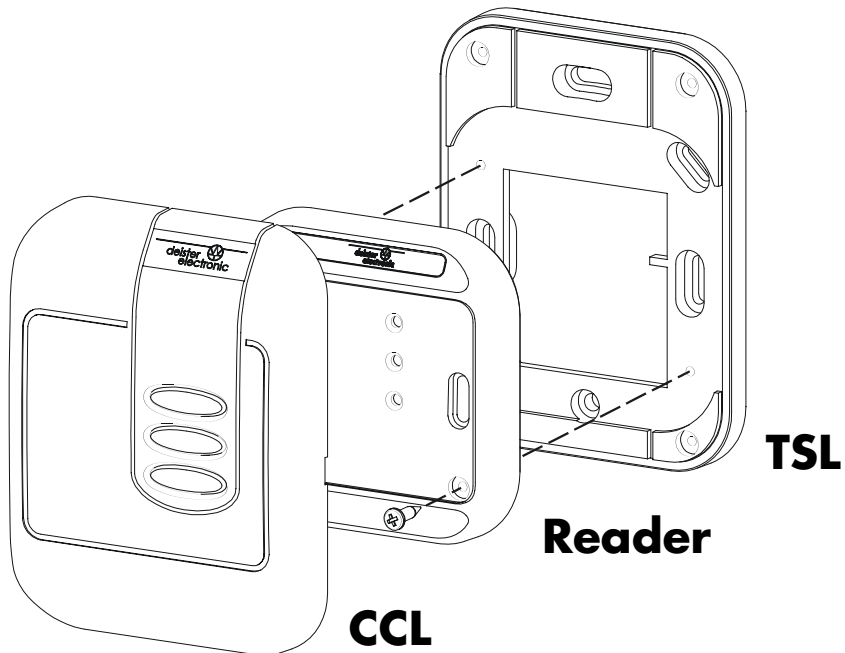


For the Japanese and American markets the Chameleon L-series CCL Cover and the CKL Cover for keypad allow flush fitting onto standard square or round electrical switch boxes. Also suitable for European back boxes.

Chameleon S-series



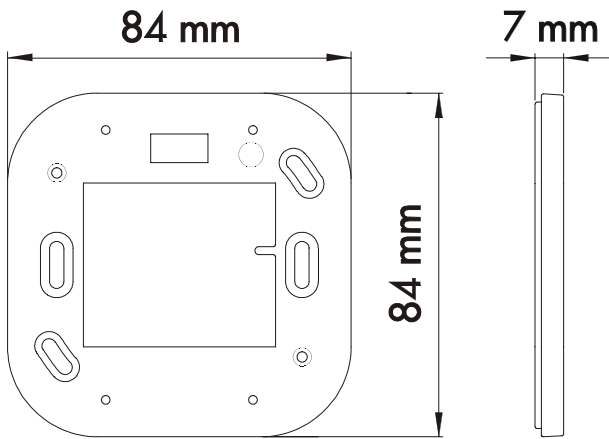
Chameleon L-series



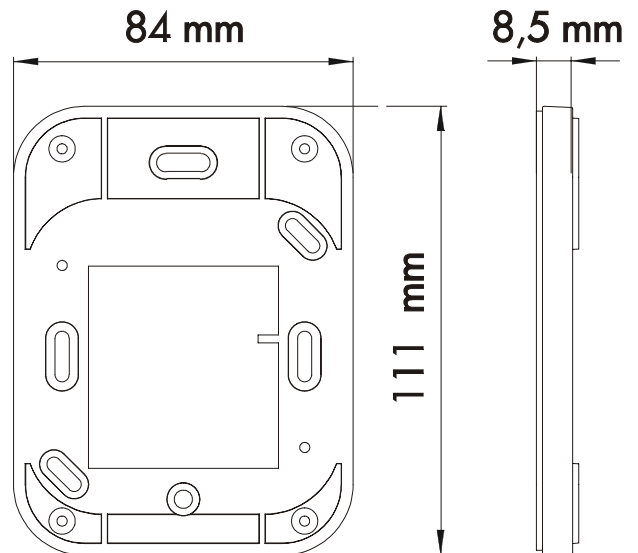
The Chameleon set consists of a Tamper Switch Plate TSS/TSL, a reader for the desired technology ClassicProx, MifareProx, LegicProx or AdvancedProx and the Snap on-Cover CCS/CKS or CCL/CKL.

Tamper Switch Plate

TSS



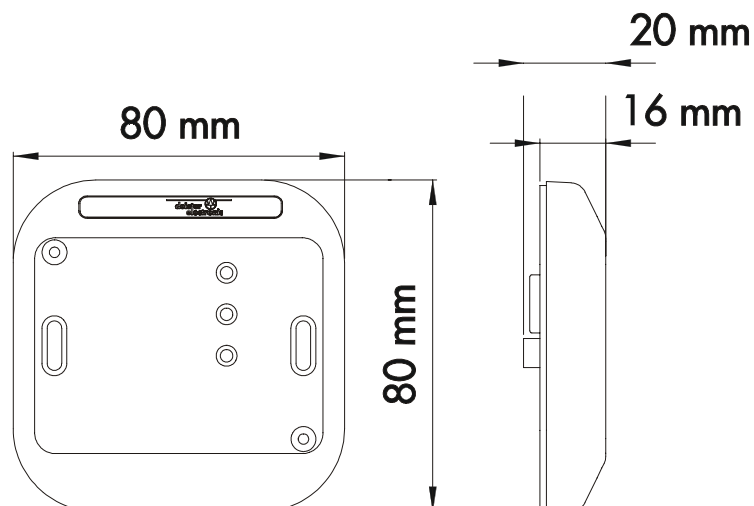
TSL



The Tamper Switch Plates TSS and TSL provide additional protection against manipulation by using a reliable magnet and reed switch combination.

Reader

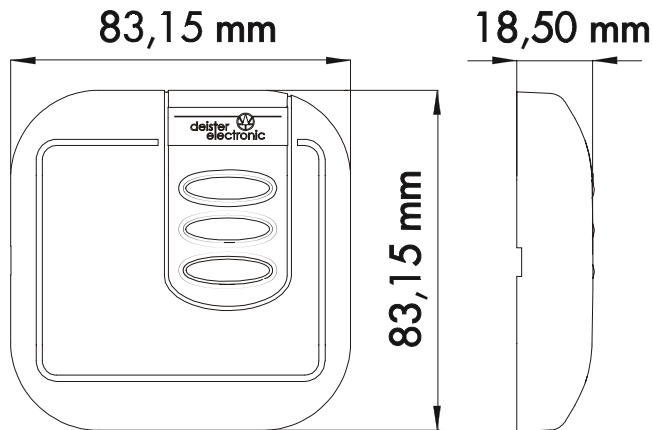
PRX5
PRM5
PRL5
PRA5
KPX5
KPM5
KPL5
KPA5



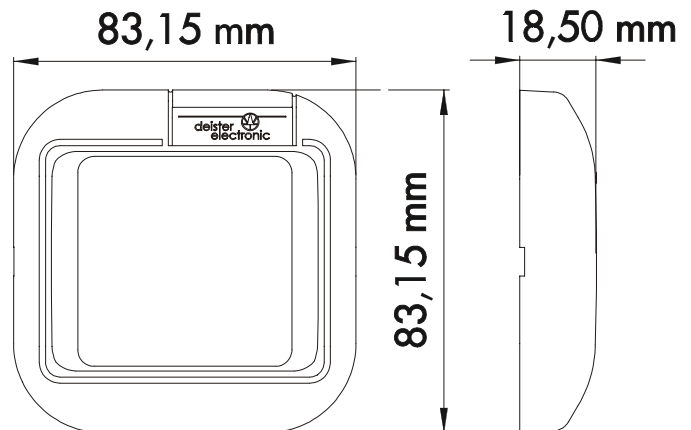
Any of deister's 5 series reader technologies (classicProx, mifareProx, LegicProx or advancedProx) can be used, with or without keypad. The Tamper Switch Plate is sandwiched between the Single Gang Back Box and the reader with the reader fixing direct to the wall box though the tamper plate.

Snap on-Cover S-series

CCS

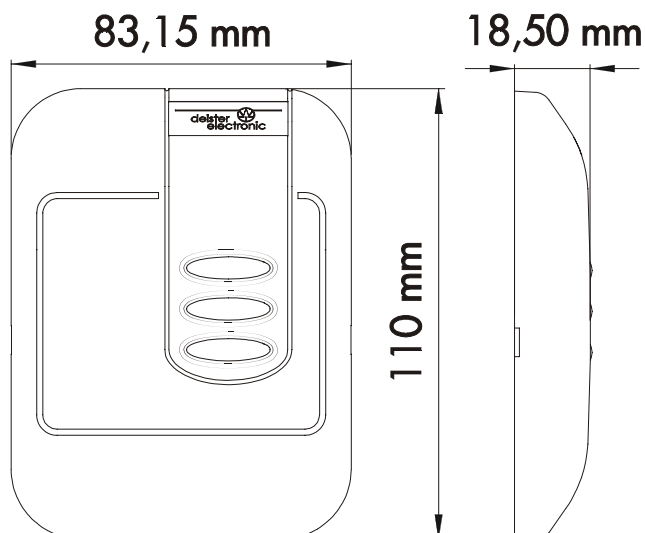


CKS

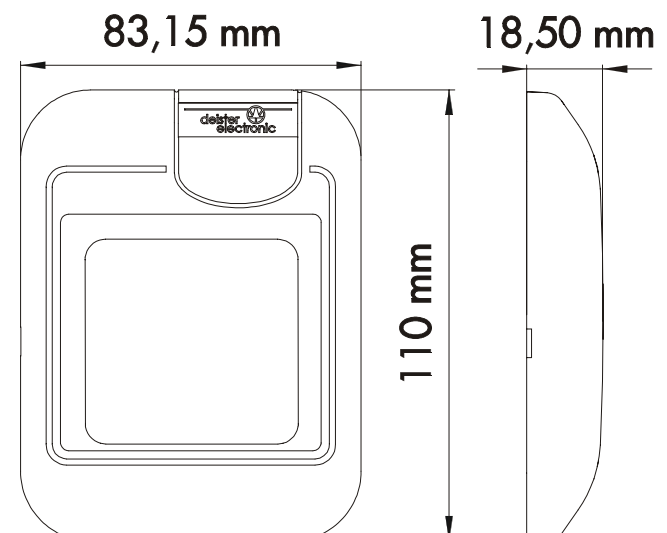


Snap on-Cover L-series

CCL



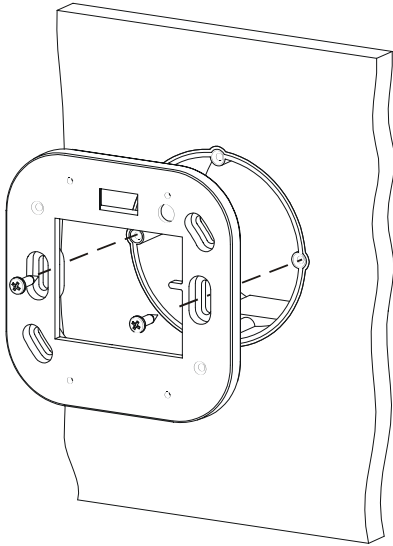
CKL



The Chameloen covers simply snap onto the reader. The modular design allows for many variations. The CCS or CCL fits over the whole reader with the LEDs showing through lenses. The CKS or CKL is designed for the keypad readers. Custom reader cover designs can be produced providing an economical solution for special applications. For servicing or changing the reader technology the Snap on-Cover can be removed easily.

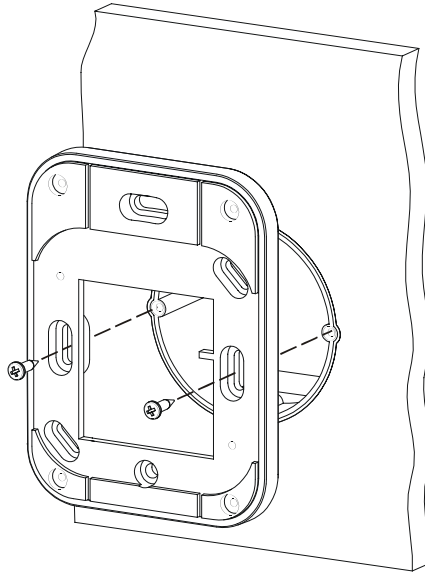
Installation

TSS



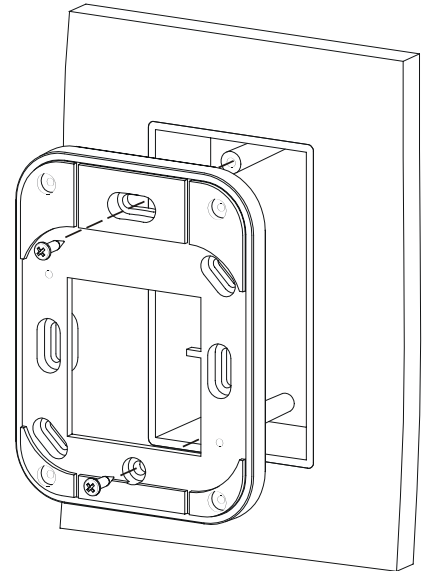
EU

TSL



EU

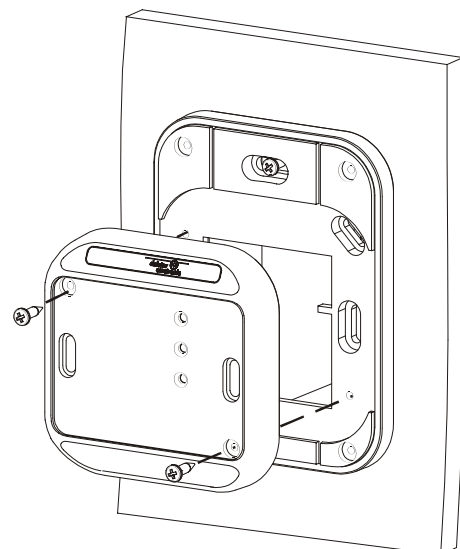
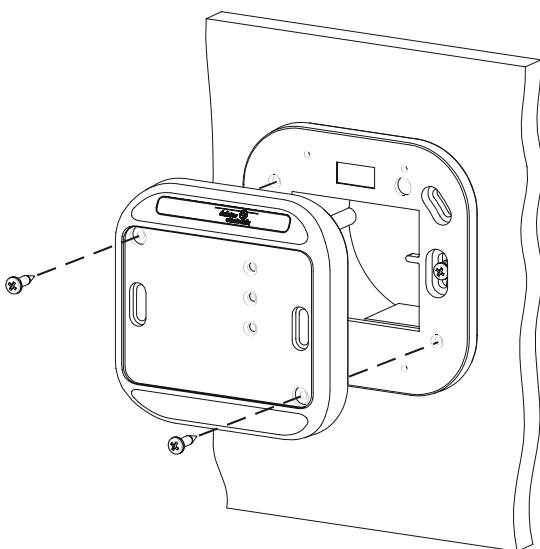
TSL



USA/Japanese

Step 1: Mount the optional tamper switch plate on a Single Gang Back Box. The TSL is suitable for American, Japanese and European boxes.

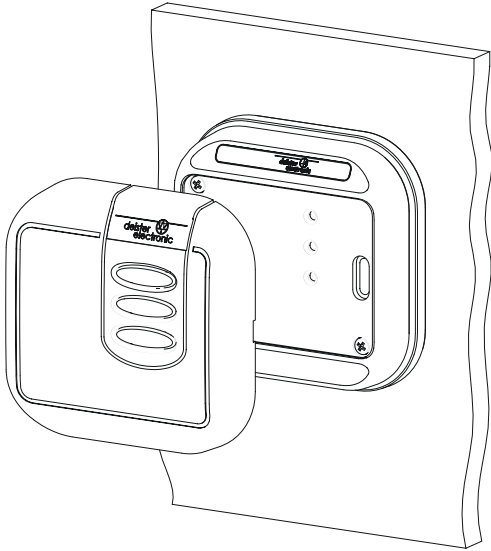
Reader



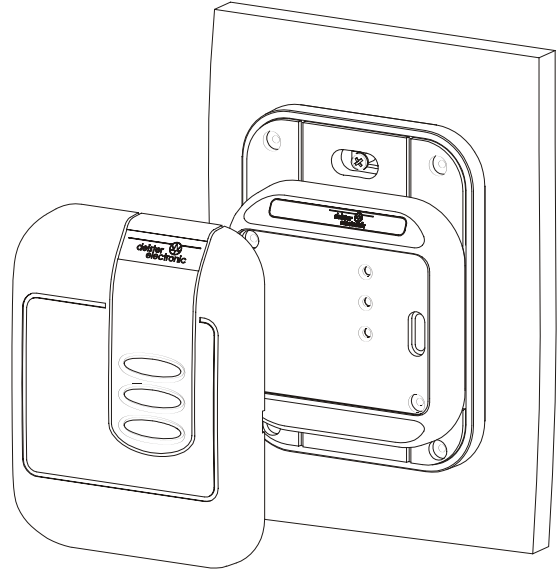
Step 2: After mounting the tamper switch plate on a wall the desired reader (PRM5, PR5L, PRX5, PRA5) or keypad reader (KPM5, KPL5, KPR5, KPA5) is mounted directly on a tamper switch plate.

Installation

CCS

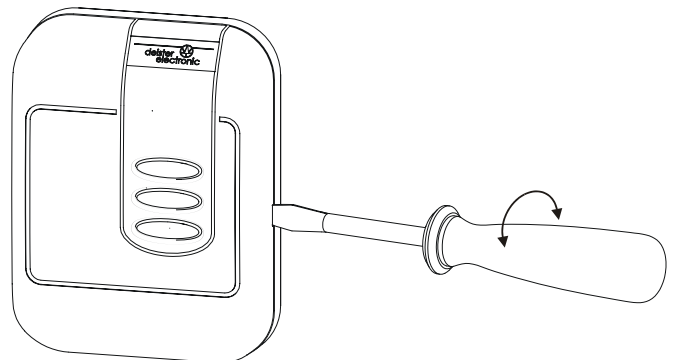
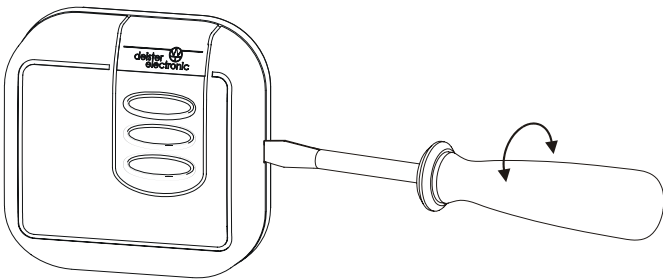


CCL



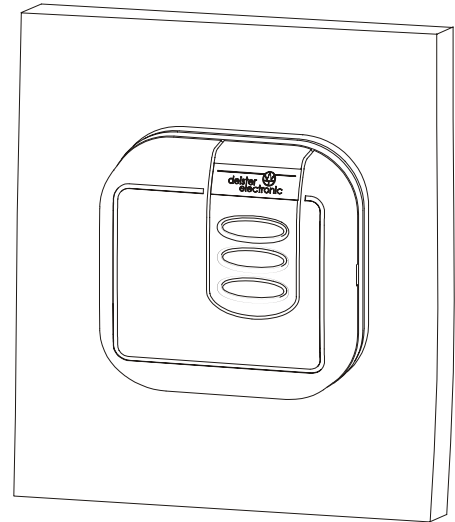
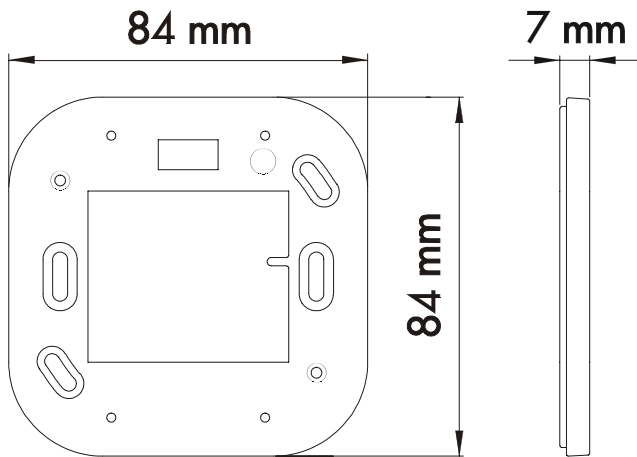
Step 3: Finally the cover is snapped onto the reader.

Uninstall

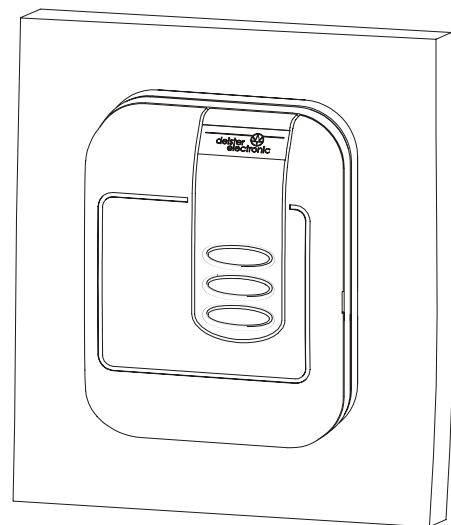
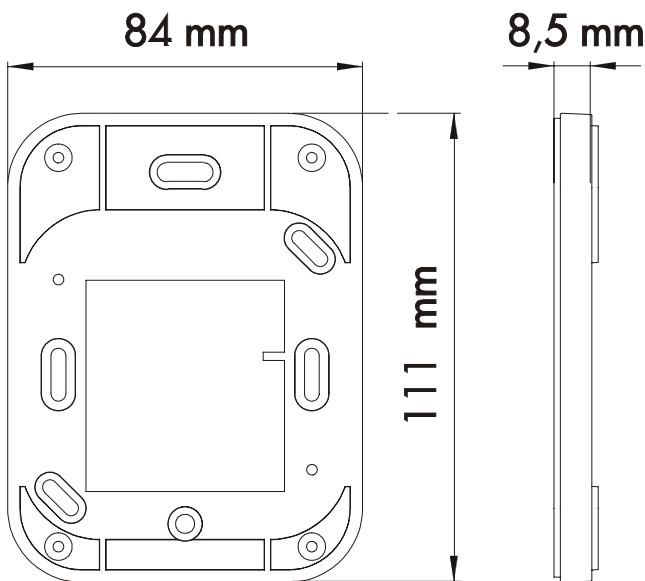


Step 4: To remove the cover, insert a screwdriver into the slot on the side of the Snap on-Cover and twist as shown.

SPS - Spacer for S-series

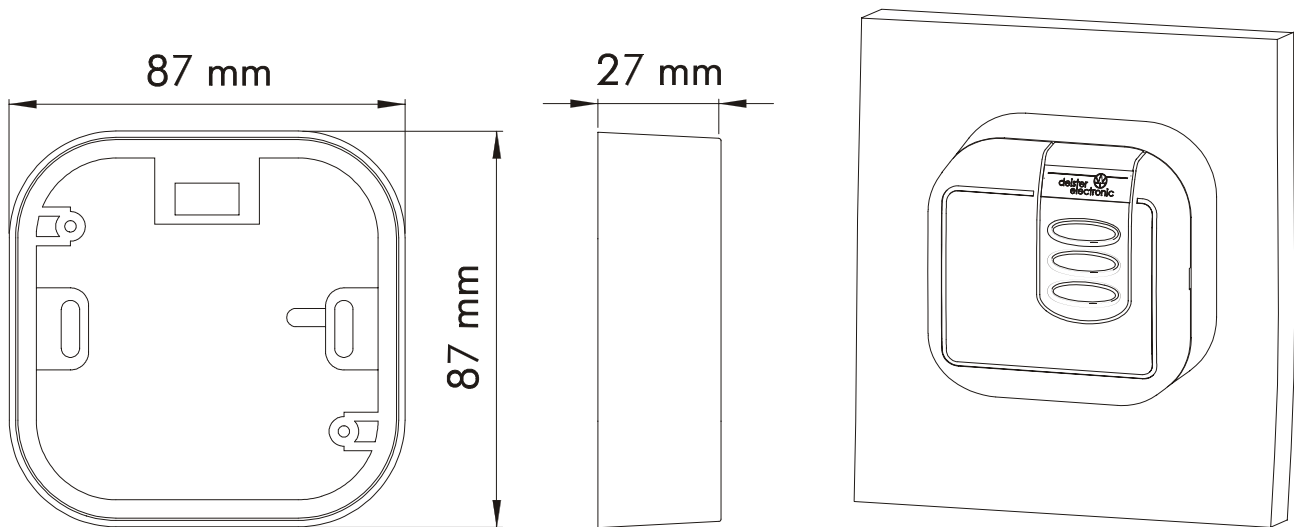


SPL - Spacer for L-series



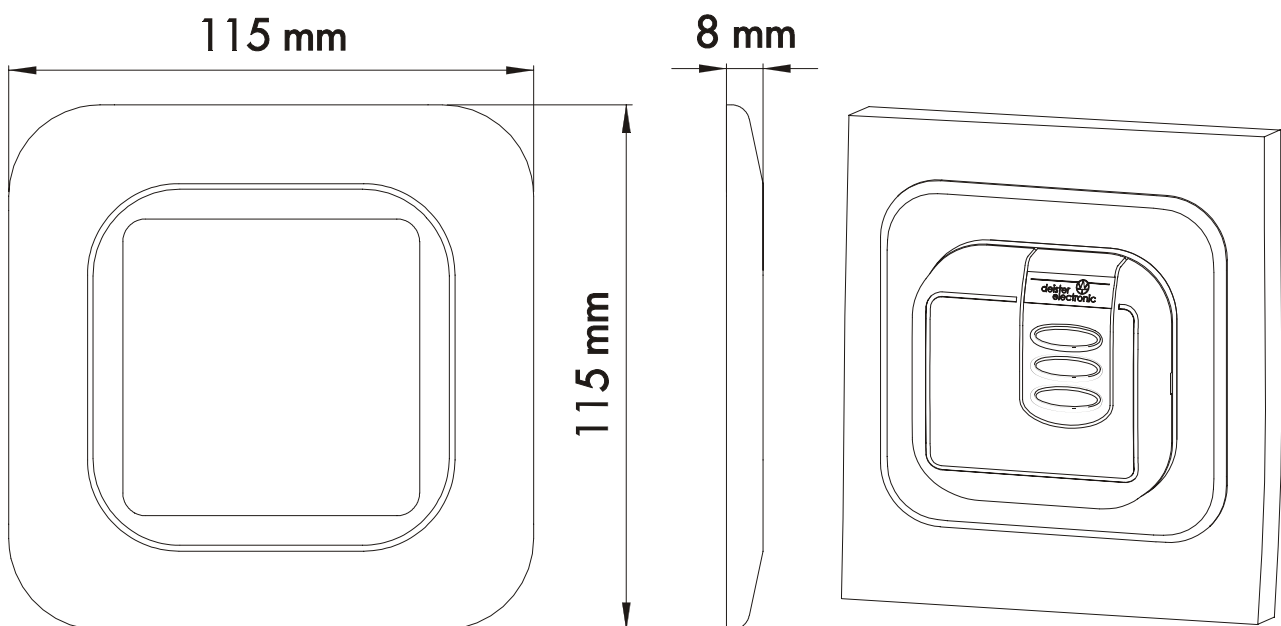
The spacer SPS and SPL allows for optimum performance when installing a reader on metal surfaces.

AP5 - Spacer for S-series



The AP5 allows surface mounting of the reader. The spacer is designed for optimum performance when installing the desired reader on metal surfaces. The spacer is only available for the Chameleon S-series.

FM5 - Frame for S-series



The FM5 provides a simple and aesthetically pleasing method of covering larger holes or previous installations. The FM5 is only available for the Chameleon S-series.

Germany:

deister electronic GmbH
Hermann-Bahlsen-Str. 11
30890 Barsinghausen
Tel.: +49 (0) 51 05 - 51 61 11
Fax: +49 (0) 51 05 - 51 62 17
info@deister-gmbh.de

www.deister.com

Great Britain:

deister electronic (UK) Ltd.
Camelgate,
Spalding
Lincolnshire PE12 6ET
Tel.: +44 (0) 1775 - 717100
Fax: +44 (0) 1775 - 717101
info@deister.co.uk

USA:

deister electronic USA Inc.
9303 Grant Avenue
Manassas, VA 22110
Tel.: +1 703 - 368 2739
Fax: +1 703 - 368 9791
info@deister.com

Canada:

deister electronic Inc.
1099 Kingston Road, Suite 212
Pickering ON. L1V 1B5
Tel.: +1 905 - 837 5666
Fax: +1 905 - 837 0777
info@deister-electronic.com

Belgium & Luxemburg:

deister electronic office
Business Park E 19
Battelsesteenweg 455/A
2800 Mechelen
Tel.: +32 (0) 15 - 28 09 68
Fax: +32 (0) 15 - 28 09 71
info@benelux.deister.com

The Netherlands:

deister electronic office
Tolnasingel 3
2411 PV Bodegraven
Tel.: +31 (0) 1726 - 32970
Fax: +31 (0) 1726 - 32971
info@nl.deister.com

France:

deister electronic france
101 rue Pierre Semard
92320 Chatillon
Tel.: +33 (0) 1 47 - 35 78 78
Fax: +33 (0) 1 47 - 35 92 59
info@deister.fr